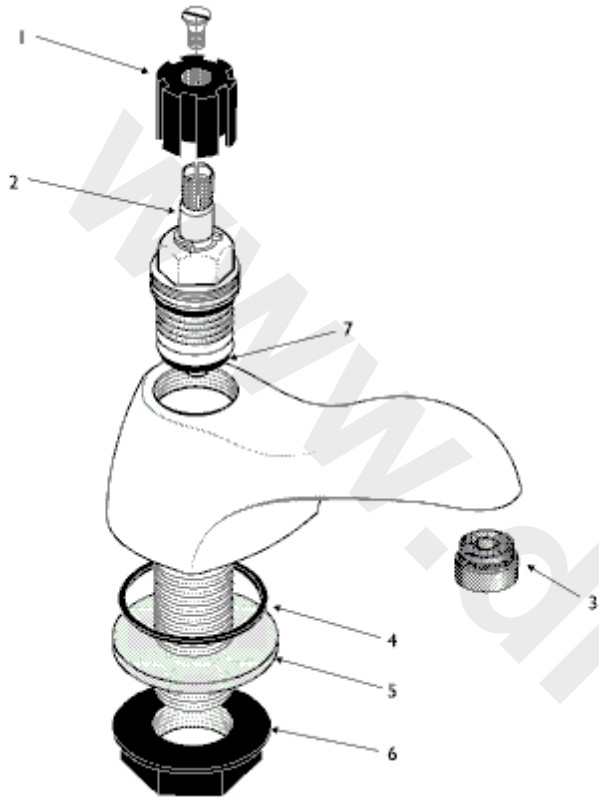


<p>



<b>Ref.</b>	<b>Description</b>
1	Handle carrier
2a	1/2 IS rubber valve internal headwork inc screw
2b	Valve screw
3	1/2" flow straightener
4	1/2" 'O' ring washer
5	1/2" anti rotation washer
6	1/2" back nut
7	Replacement valve washer pack

<b>Part No.</b>
A922539
A951130NU11
E918322NU
S961069NU
E960458NU
E960459NU
EESM40700067
A961672NU

**NB -- colour/finish options**

Chrome = AA  
Gold = AZ  
White = AC

---